

Trench Shield Strut Safe Assembly Procedure

This safety procedure requires a minimum of 2 employees to complete.
And all PPE must be worn



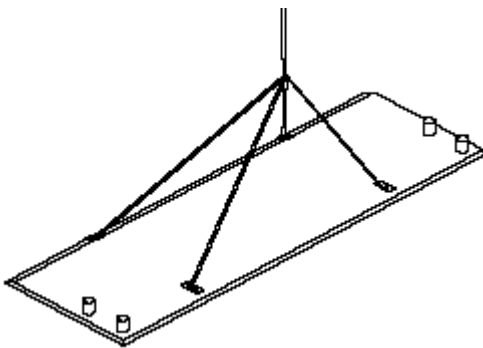
Excavator positioning trench shield components for job site assembly.



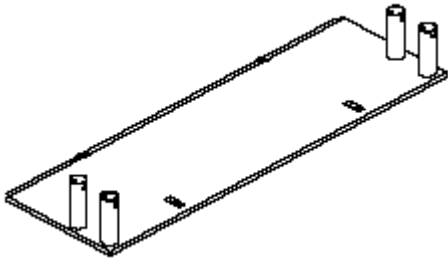
Final assembly of shield components is completed at ground level.



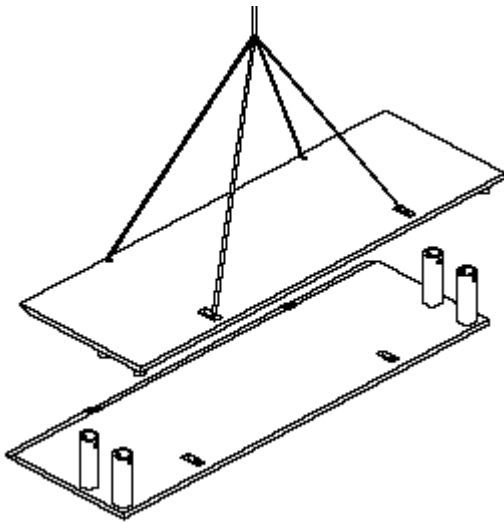
The fully assembled trench shield is lowered into position.



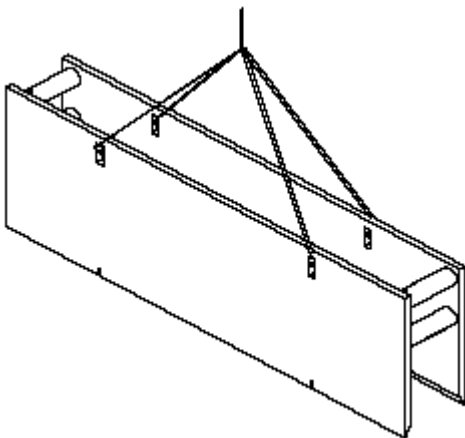
Ensure area is safe and all employees understand the dangers of the lift. Use properly tagged cable sling and 1½-inch chain with safety mouse. Lift the panel from the back of truck and lay down flat and level with collars pointing up.



Set the pipes struts over the collars using backhoe or excavator and install pins and safety clips.



Lift matching panel and line up pipe struts with collars. Have one employee for every strut to ensure they will line up. Take great caution as not to catch your fingers between strut and collar. Once lined up, install the pin and safety clip.



Place sling hook in proper lifting lugs and install into the trench. If hooks are too large to fit, use shackles to hook on to. Ensure area is safe and all personnel are aware of the path and location when lifting and installing.

Warning: Lift eyes are designed and intended for assembly and lifting only. Do not pull or lift by eyes when shield is stuck or has pressure against it. Loosen shield by pulling on a strut or digging along the sides before using the lift eyes.