

ELECTRIC TOOLS – CIRCULAR SAWS

IDENTIFY

The circular saw is one of the most widely used portable power tools on construction sites. If not used correctly, it can cause serious injuries.

Kickback is the most common problem. It can happen to even the most careful users. You can minimize the chance of kickback by properly setting the blade depth, maintaining a sharp blade, standing in the right position, and ensuring that the material is held securely.

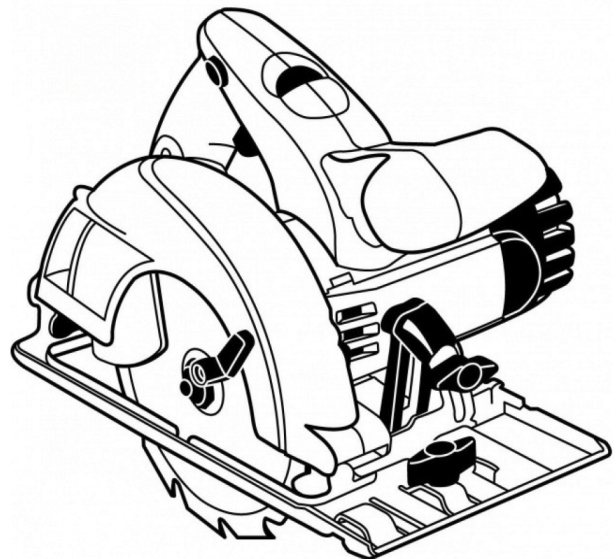
COMMUNICATE AND CONTROL

- Always wear the proper clothing and gear when operating the saw. This includes safety glasses, hearing protection, a dust mask, and appropriate footwear. Avoid wearing loose clothing and jewelry. If your hair is shoulder length or longer, tie it back so it doesn't get caught in the saw.
- If you are cutting pressure-treated wood or cedar, we recommend that you use a NIOSH-approved N95 filtering face mask or a more protective respirator.
- Read all the safety materials included in the manufacturer's instructions before using your saw.
- Always unplug the saw when changing blades, cleaning the saw, or making adjustments.
- Never use the saw near water.
- Ensure the extension cord does not run across walkways where it can be a tripping hazard or get damaged
- Ensure that the extension cord is in good condition, and that the plug has a ground pin.
- The blade should extend only 1/8 inch below the piece of material that you are cutting. The risk of kickback and injury increases as more blade is exposed below the material.
- Do not overextend your body when cutting. Position yourself so that you are in control of the saw and the material.
- Never use your knee or foot to support the material you are cutting.

- Never wedge, wire, or jam the guard to prevent it from working. This is a dangerous practice that could cause serious injury.
- Never fasten the trigger's safety lock in the "on" position. The purpose of this feature is to minimize accidental starts.
- Never pull the saw backward when cutting.
- Always use the proper blade for the type of material and the type of cut.
- Before setting the saw down, make sure the guard is in place. If you don't, the saw could run across your hand or foot.
- Never carry the saw by the cord or with your finger on the trigger.
- Ensure the blade is free from defects prior to use.

FACTS AND TIPS

Identify all safety features and make sure they are working. Demonstrate how to use the saw, as well as techniques for holding materials, by making cuts in different positions and with different materials.



THE QUIZ

1. The circular saw is one of the most widely used portable power tools on construction sites, but if not used correctly it can cause serious injuries:

TRUE _____ FALSE _____

2. Kickback is not a problem if you use the saw correctly:

TRUE _____ FALSE _____

3. You can minimize the chance of kickback by:

- a) Properly setting the blade depth
- b) Maintaining a sharp blade
- c) Standing in the right position
- d) All of the above

4. Always wear the proper clothing and gear when operating the saw — this includes safety glasses, hearing protection, a dust mask, and appropriate footwear:

TRUE _____ FALSE _____

5. Read all the safety materials including the manufacturer's instructions before using your saw:

TRUE _____ FALSE _____

6. Never unplug the saw when changing blades, cleaning the saw, or making adjustments:

TRUE _____ FALSE _____

7. Ensure that the extension cord is in good condition, and that the plug has a ground pin:

TRUE _____ FALSE _____

8. Do not overextend your body when cutting. Position yourself so that you are in control of the saw and the material:

TRUE _____ FALSE _____

9. You can remove the blade guard to help get the job done quicker:

TRUE _____ FALSE _____

10. Always carry the saw by the cord or with your finger on the trigger:

TRUE _____ FALSE _____

1. TRUE; 2. FALSE; 3. d; 4. TRUE; 5. TRUE; 6. FALSE;
7. TRUE; 8. TRUE; 9. FALSE; 10. FALSE

ANSWERS: